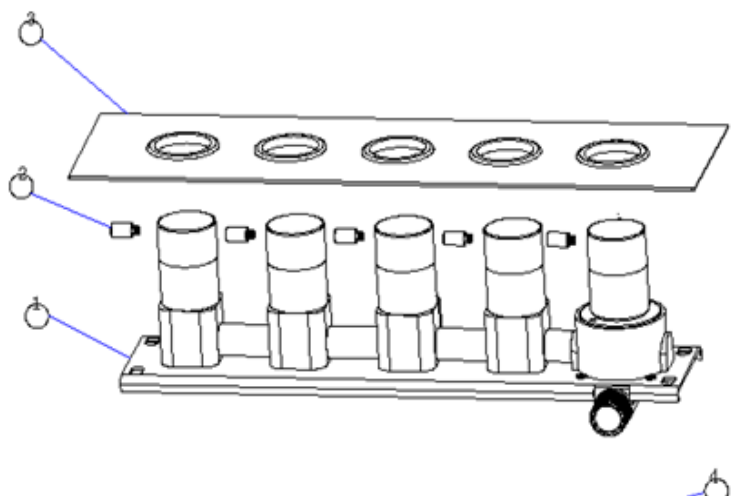
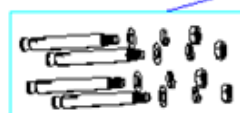
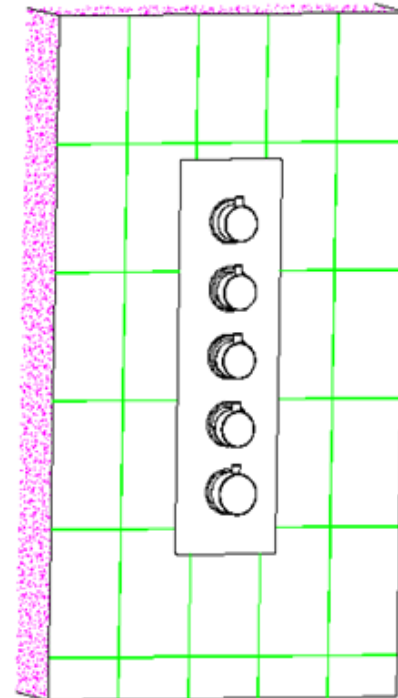
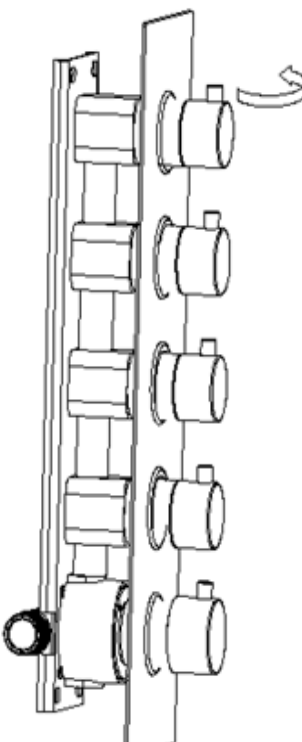
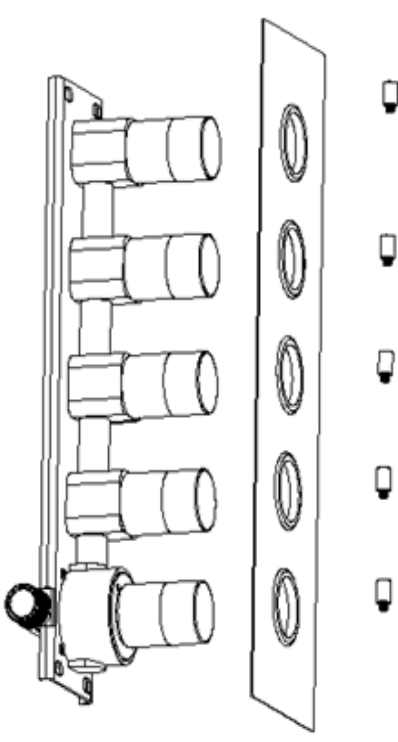
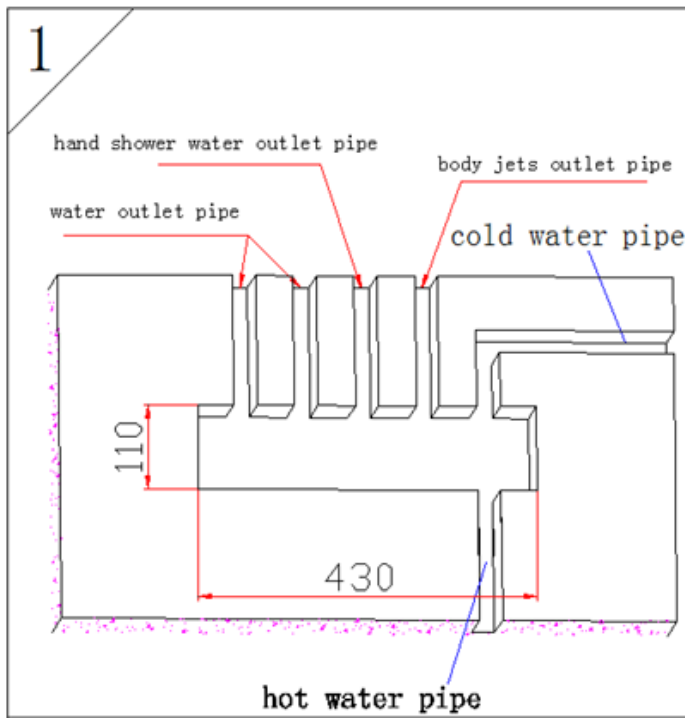


A, valve control instruction

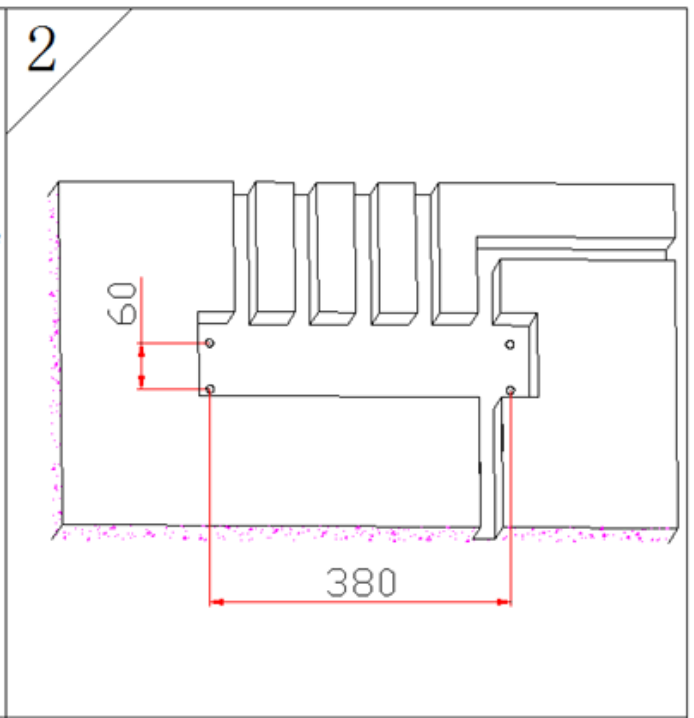
part list	Assembly diagram															
 <table border="1" style="margin-top: 10px; width: 100%; border-collapse: collapse;"> <thead> <tr> <th style="width: 10%;">Number</th> <th style="width: 70%;">Commodity</th> <th style="width: 20%;">Quantity</th> </tr> </thead> <tbody> <tr> <td>1</td> <td>Embedded valve body</td> <td>1</td> </tr> <tr> <td>2</td> <td>Decorative panels</td> <td>1</td> </tr> <tr> <td>3</td> <td>Handwheel arms</td> <td>5</td> </tr> <tr> <td>4</td> <td>Expansion screws</td> <td>4</td> </tr> </tbody> </table> 	Number	Commodity	Quantity	1	Embedded valve body	1	2	Decorative panels	1	3	Handwheel arms	5	4	Expansion screws	4	
Number	Commodity	Quantity														
1	Embedded valve body	1														
2	Decorative panels	1														
3	Handwheel arms	5														
4	Expansion screws	4														

	
---	--

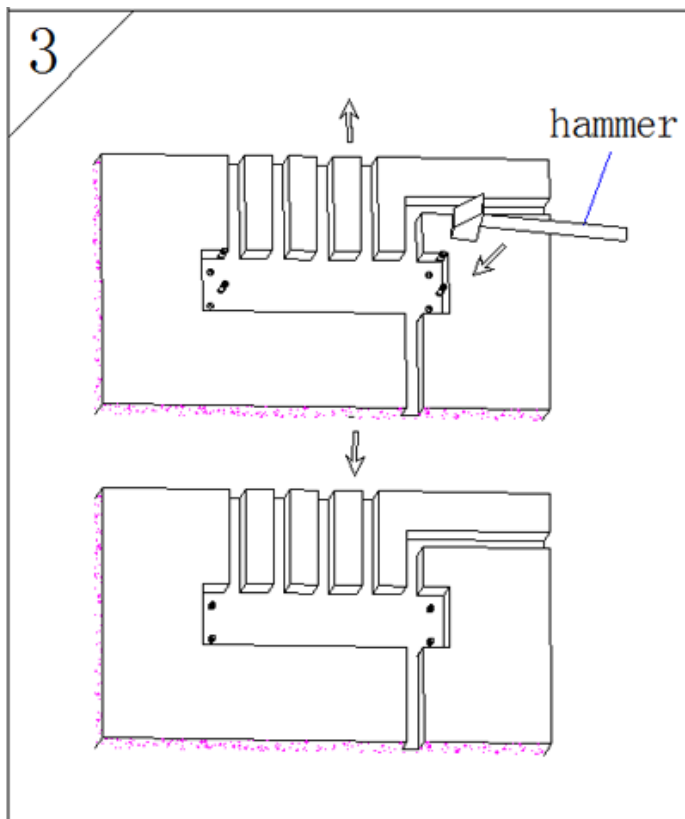
<p>1, release five handwheel levers according to above directions</p>	<p>2, take apart the embed valve, panel, and handwheel</p>
---	--



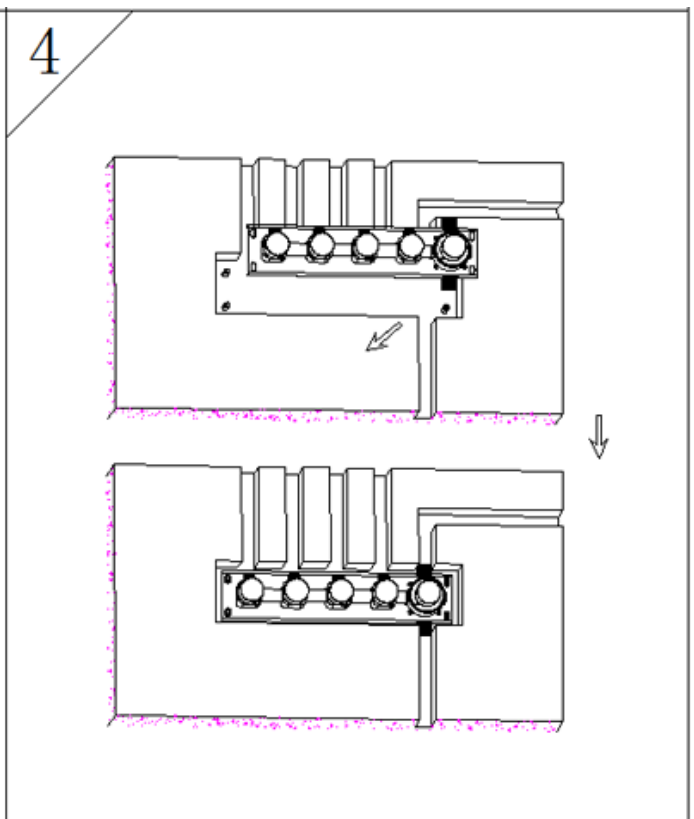
1, dig the embed space for the pipe on the wall according the specification of the valve



2, dig 4 hole according to the position of the screws



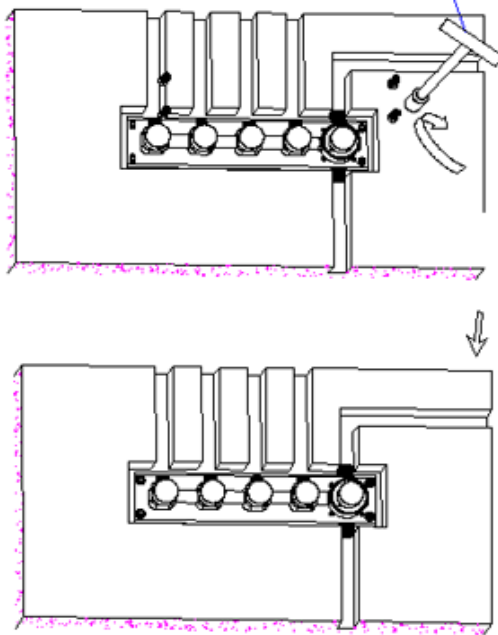
3, use a hammer to thwack the screws into 4 holes



4, fix the valve body with 4 screws

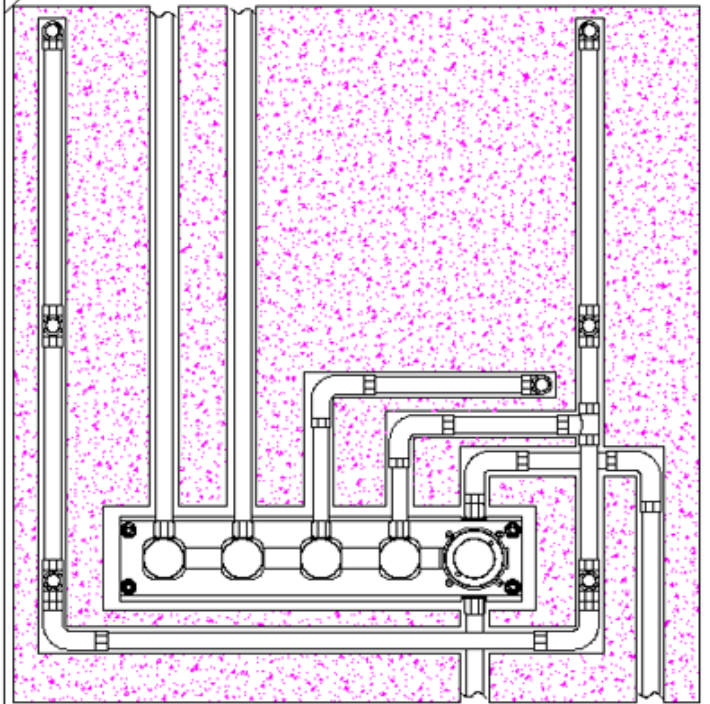
5

Copper sleeve



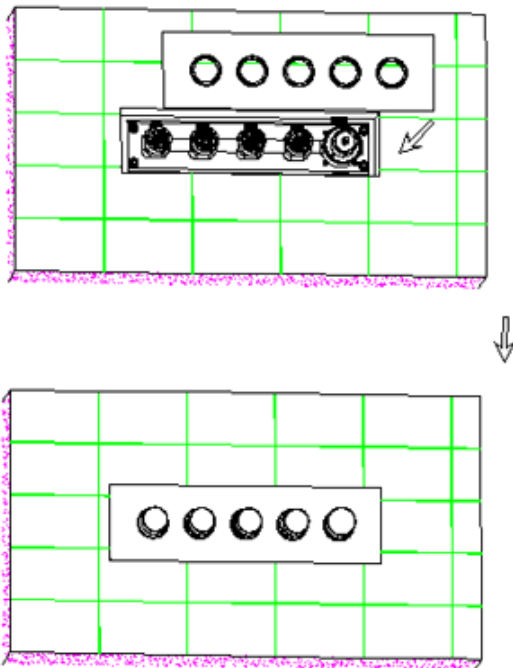
5, Find out the expansion screw heads with washer and spring washer. Use copper sleeve wrench to lock the screw heads with the embed valve body.

6



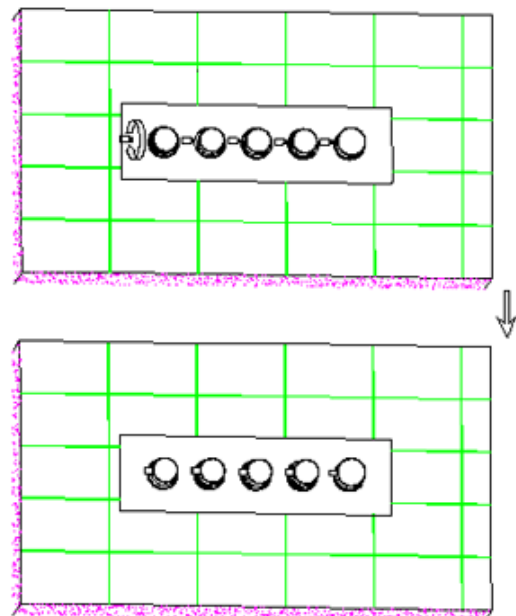
6, After connect all the pipes and before sealing the wall with concrete, confirm no leaking problem occur when turn on water.

7



7, fix the decorative panel on the embed valve body

8

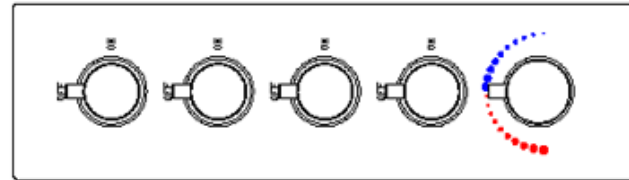
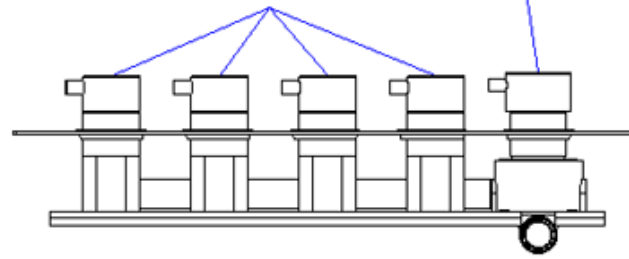


8, screw the handwheel arms with the handwheels

9

mixing water outlet controller

temperature controller



9、instruction guide

temperature controller

mixing water outlet controller

