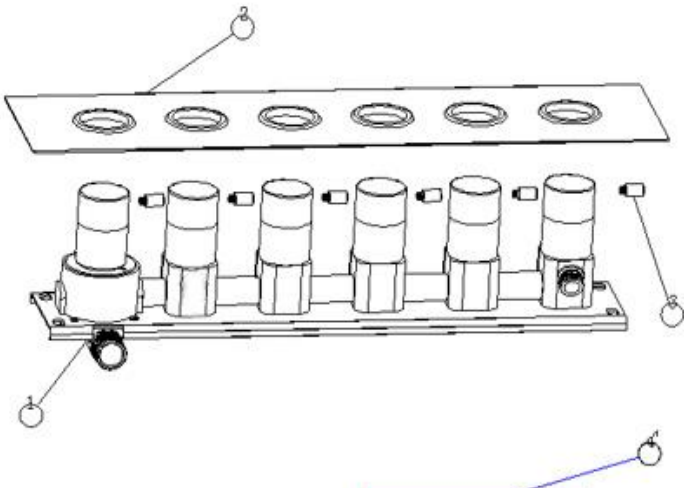
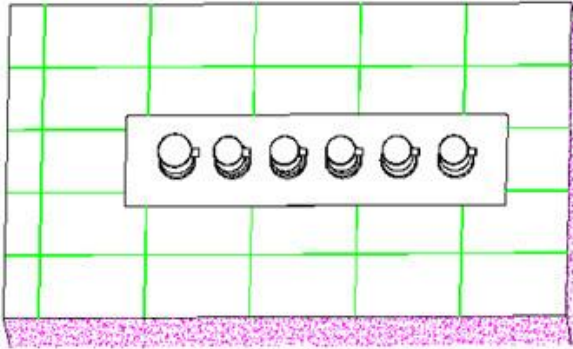

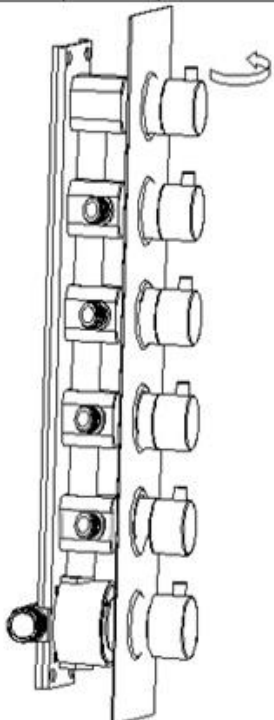
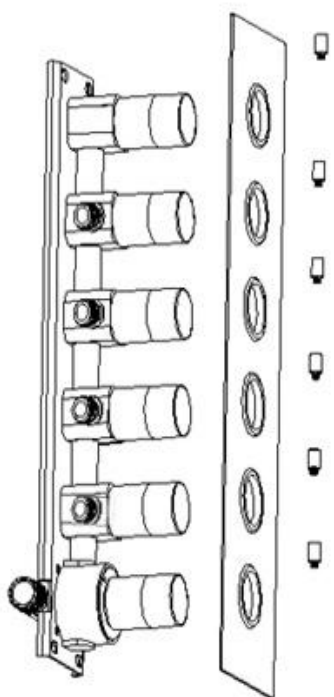
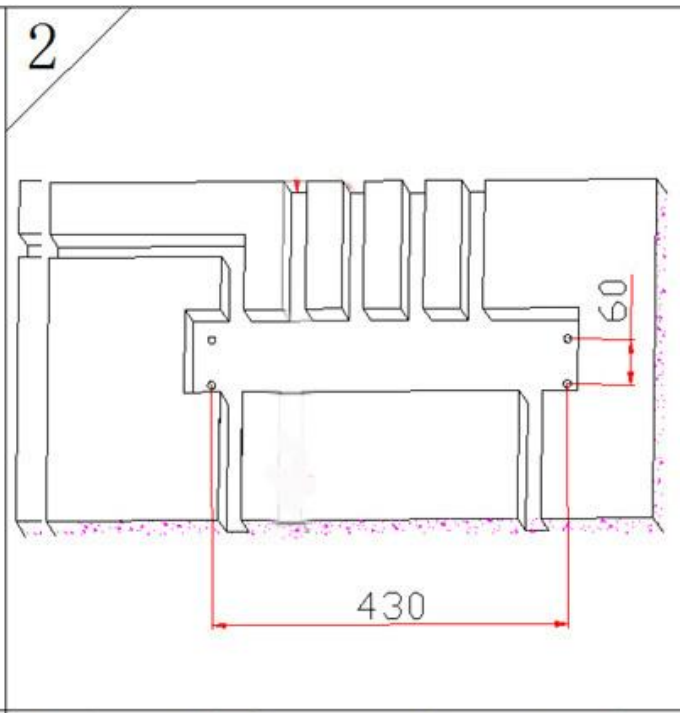
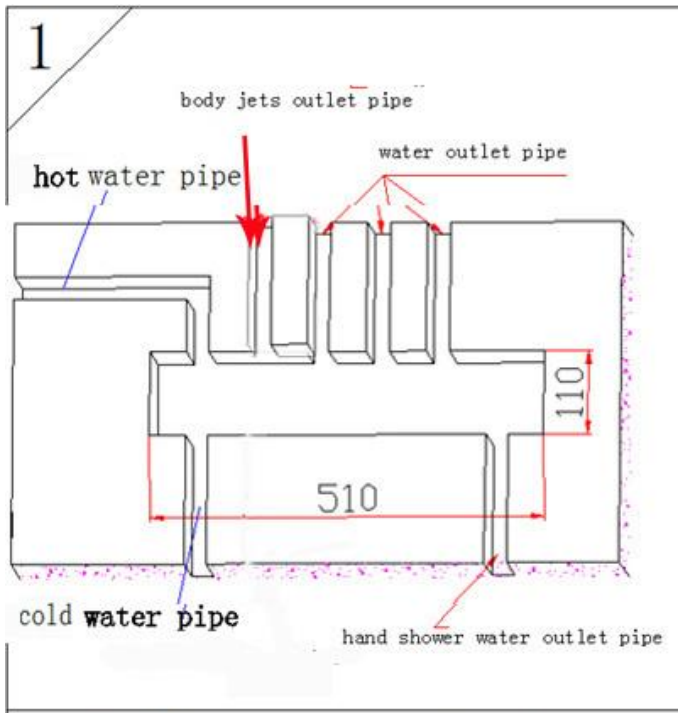


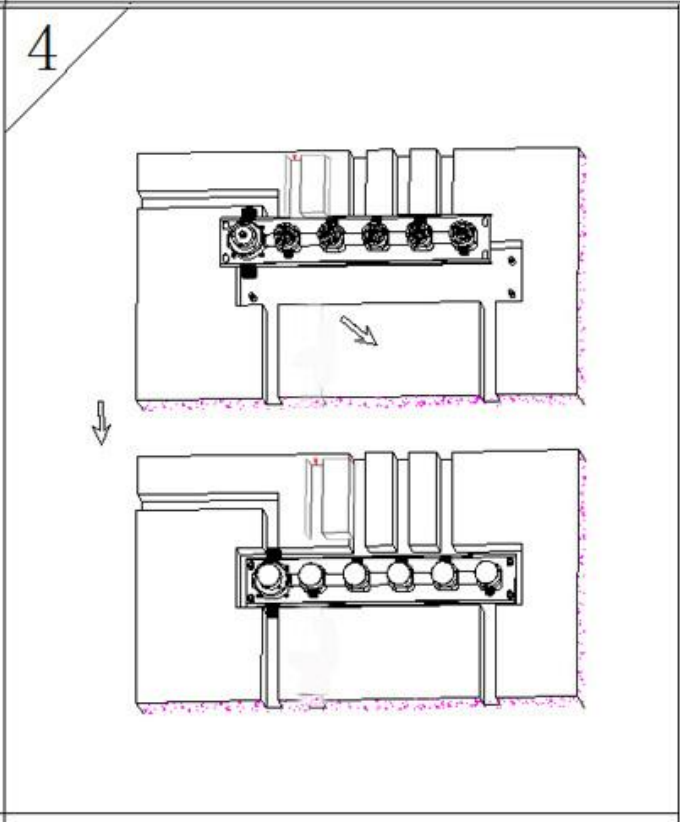
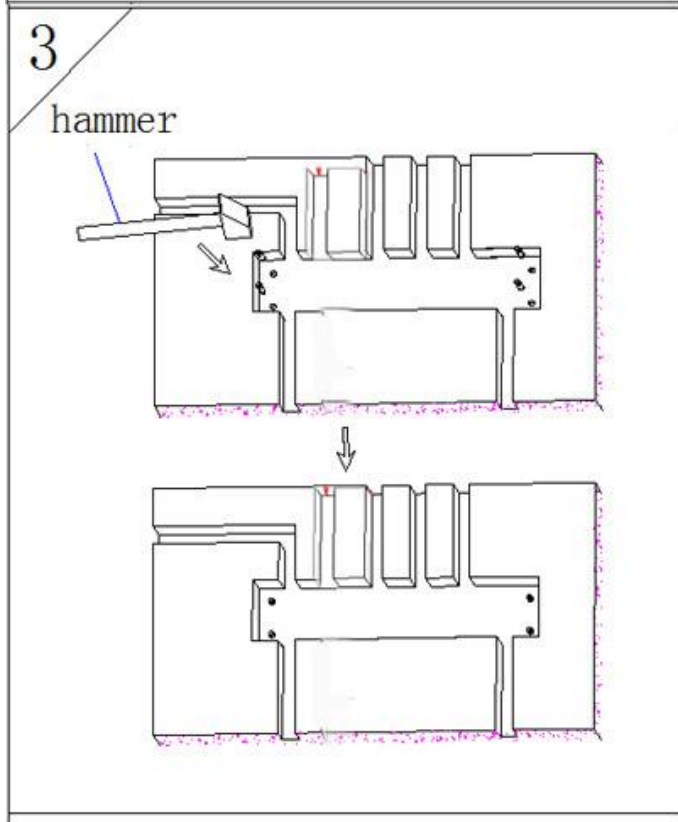
A, valve control instruction

part list			Assembly diagram														
																	
<table border="1"> <thead> <tr> <th>Number</th> <th>Commodity</th> <th>Quantity</th> </tr> </thead> <tbody> <tr> <td>1</td> <td>Embedded valve body</td> <td>1</td> </tr> <tr> <td>2</td> <td>Decorative panels</td> <td>1</td> </tr> <tr> <td>3</td> <td>Handwheel arms</td> <td>6</td> </tr> <tr> <td>4</td> <td>Expansion screws</td> <td>4</td> </tr> </tbody> </table> 				Number	Commodity	Quantity	1	Embedded valve body	1	2	Decorative panels	1	3	Handwheel arms	6	4	Expansion screws
Number	Commodity	Quantity															
1	Embedded valve body	1															
2	Decorative panels	1															
3	Handwheel arms	6															
4	Expansion screws	4															
																	
<p>1, release Six handwheel levers according to above directions</p>		<p>2, take apart the embed valve, panel, and handwheel</p>															



1, dig the embed space for the pipe on the wall according the specification of the valve

2, dig 4 hole according to the position of the screws

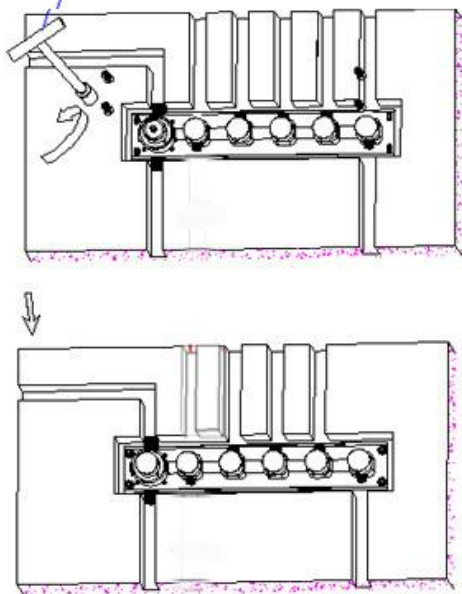


3, use a hammer to thwack the screws into 4 holes

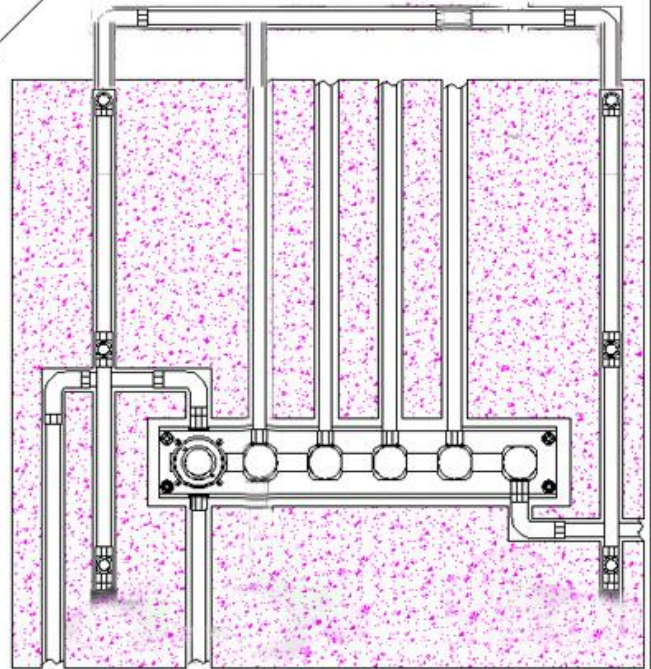
4, fix the valve body with 4 screws

5

Copper sleeve



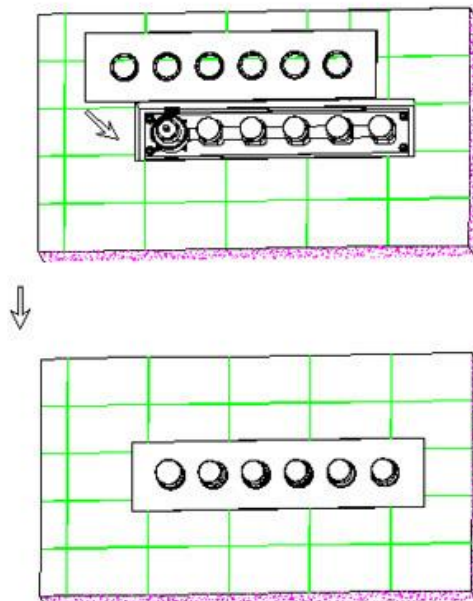
6



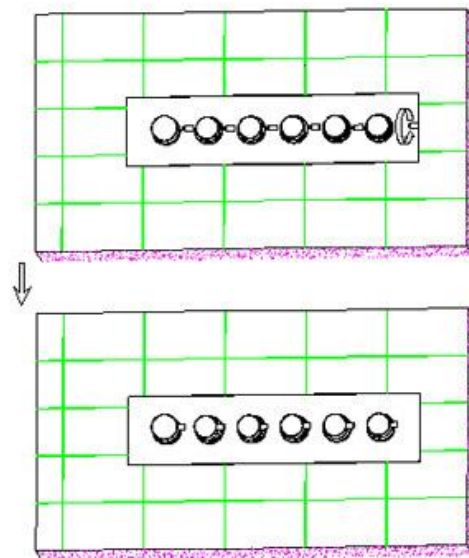
5, Find out the expansion screw heads with washer and spring washer. Use copper sleeve wrench to lock the screw heads with the embed valve body.

6, After connect all the pipes and before sealing the wall with concrete, confirm no leaking problem occur when turn on water.

7

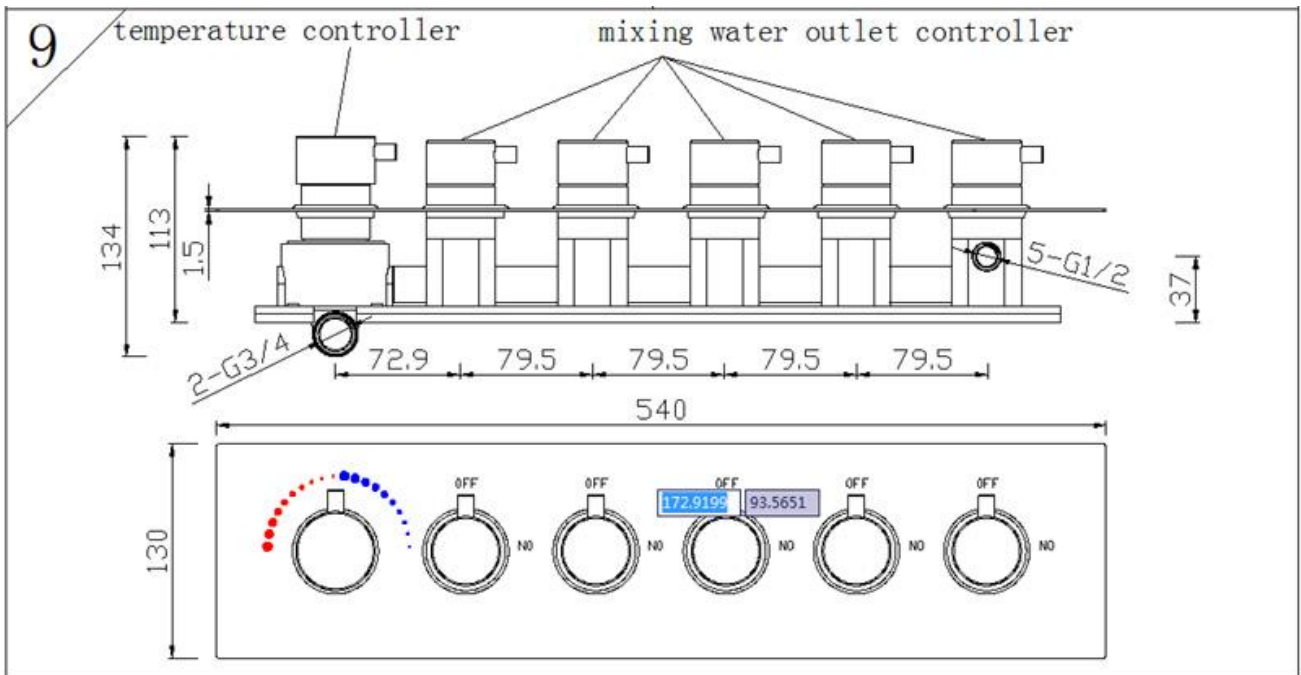


8



7, fix the decorative panel on the embed valve body

8, screw the handwheel arms with the handwheels



9、instruction guide

flow rate illustration

