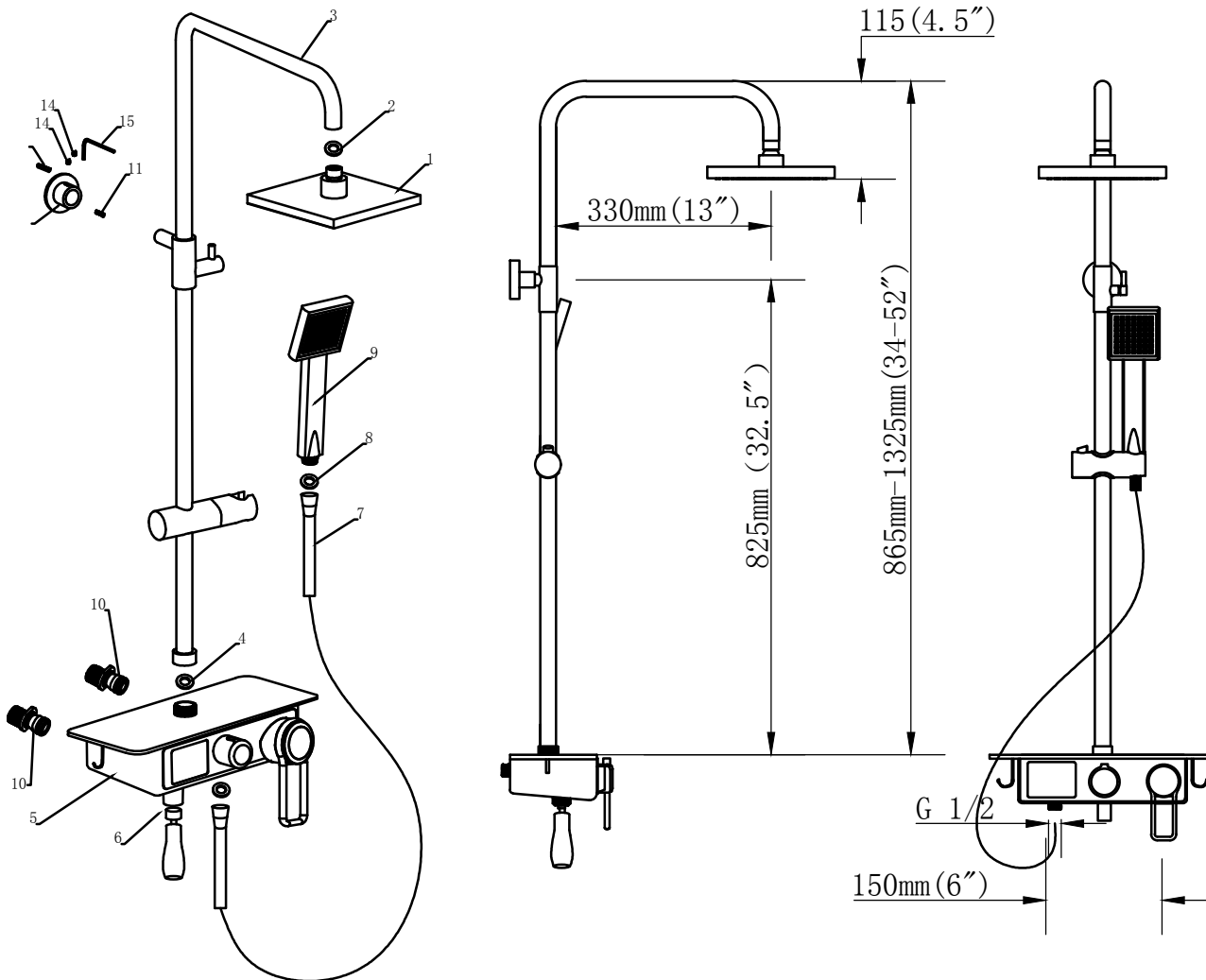


Installation Instructions:

As shown : 1.put the water tape on the diverter (10) and connect it with the outlet connection placed in advance , to adjust a good distance between the main body (5)and diverter , put the main body into the diverter and tightening with hexagon wrench . 2.connect the shower bar (3) with the main body and make the shower bar across the holder with the decorative cover (12)fixed on the wall . 3. to connect the shower hose(7) ,hands showe(9) and head shower(1) well , after these , the heigth of the head shower can be adjusted to be your needs by rising and falling the shower bar .

pls clear the sediment in the pipe placed in advance when installation .and no left any washer on the place of connection



Specifications

Name	Size	Quantity
Umleiter		2
Hand shower holder		1
Halter		1
Hand shower holder		1
shower Stange		1
Washing machine	$\phi 24 \times \phi 12 \times 2 \text{mm}$	3
Hexagon wrench		2
decorative cover		1
shower hose	1.5m	1
hands shower		1
washer	$\phi 15.5 \times \phi 8.5 \times 2 \text{mm}$	1
Screw package		3
Installation instruction		1

Maintenance

- (1) Clean the faucet with soft cloth or leather. Regular cleaning can prevent calcification.
- (2) Never use cleaning materials contain hydrochloric, formic, phosphoric or acetic acid, which may cause considerable damage.
- (3) After cleaning, rinse thoroughly the faucet with clean water to remove any cleaner residue.